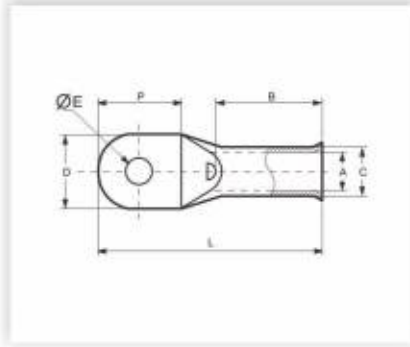




COPPER TUBE TERMINALS

BELL MOUTHED

- Material: E-Copper
- Finish: Electro-Tinned
- Features: Bell-Mounted Entry,
- With or Without Inspection Hole
- Suitable For: Stranded to Fine Stranded Copper Cable



Specification of Copper Tube Terminals

| Cable Size mmf (AWG) | ØE | Dimensions (mm) | | | | | | | | | |
|-------------------------|------|-----------------|------|----|----|----|----|----|----|----|----|
| | | A | C | D | P | B | L | | | | |
| 10 (7) | 5.2 | 4.4 | 6.9 | 11 | 11 | 10 | 29 | | | | |
| | 6.2 | | | 12 | 18 | | 11 | 38 | | | |
| | 8.2 | | | | | | | 17 | 24 | 41 | |
| | 10.5 | | | | | | | | | 13 | 29 |
| 16 (5) | 5.2 | 5.6 | 8 | 11 | 11 | 11 | 29 | | | | |
| | 6.2 | | | 18 | 22 | | 11 | 38 | | | |
| | 8.2 | | | | | | | 18 | 22 | 42 | |
| | 10.5 | | | | | | | | | 13 | 42 |
| 25 (3) | 6.2 | 7 | 9.5 | 13 | 19 | 14 | 42 | | | | |
| | 8.2 | | | 16 | 23 | | 14 | 47 | | | |
| | 10.5 | | | | | | | 18 | 23 | 14 | 47 |
| | 13 | | | | | | | | | | 16 |
| 35 (2) | 6.2 | 8.2 | 11 | 16 | 19 | 15 | 43 | | | | |
| | 8.2 | | | 18 | 22 | | 15 | 48 | | | |
| | 10.5 | | | | | | | 20 | 24 | 15 | 50 |
| | 13 | | | | | | | | | | 18 |
| 50 (1/0) | 6.5 | 9.5 | 12.1 | 18 | 18 | 18 | 48 | | | | |
| | 8.2 | | | 22 | 27 | | 18 | 52 | | | |
| | 10.5 | | | | | | | 20 | 22 | 18 | 55 |
| | 13 | | | | | | | | | | 20 |
| 70 (2/0) | 6.2 | 11.5 | 15 | 21 | 20 | 19 | 50 | | | | |
| | 8.2 | | | 22 | 34 | | 19 | 54 | | | |
| | 10.5 | | | | | | | 24 | 34 | 19 | 63 |
| | 13 | | | | | | | | | | 24 |
| 95 (4/0) | 8.2 | 13.5 | 17 | 25 | 24 | 24 | 60 | | | | |
| | 10.5 | | | 32 | 29 | | 24 | 67 | | | |
| | 13 | | | | | | | 28 | 29 | 24 | 72 |
| | 14 | | | | | | | | | | 30 |
| 120 (4/0) | 10.5 | 15 | 19 | 28 | 29 | 29 | 72 | | | | |
| | 13 | | | 33 | 33 | | 29 | 76 | | | |
| | 14 | | | | | | | 28 | 29 | 29 | 72 |
| | 17 | | | | | | | | | | 30 |
| 120 (4/0) | 21 | 15 | 19 | 30 | 33 | 29 | 76 | | | | |

We have manufacturing capacity for Compression Cable Lugs ranging from 1.5mm² to 1000mm² cable entry with various types including Bell Mouthed, Heavy Duty Standard & Long Barrel, Long & Narrow Palm, Sealed Palm for Automotive & Industrial applications. We can supply Copper Tube Terminals with specified dimensions & plating as per customer's requirement.